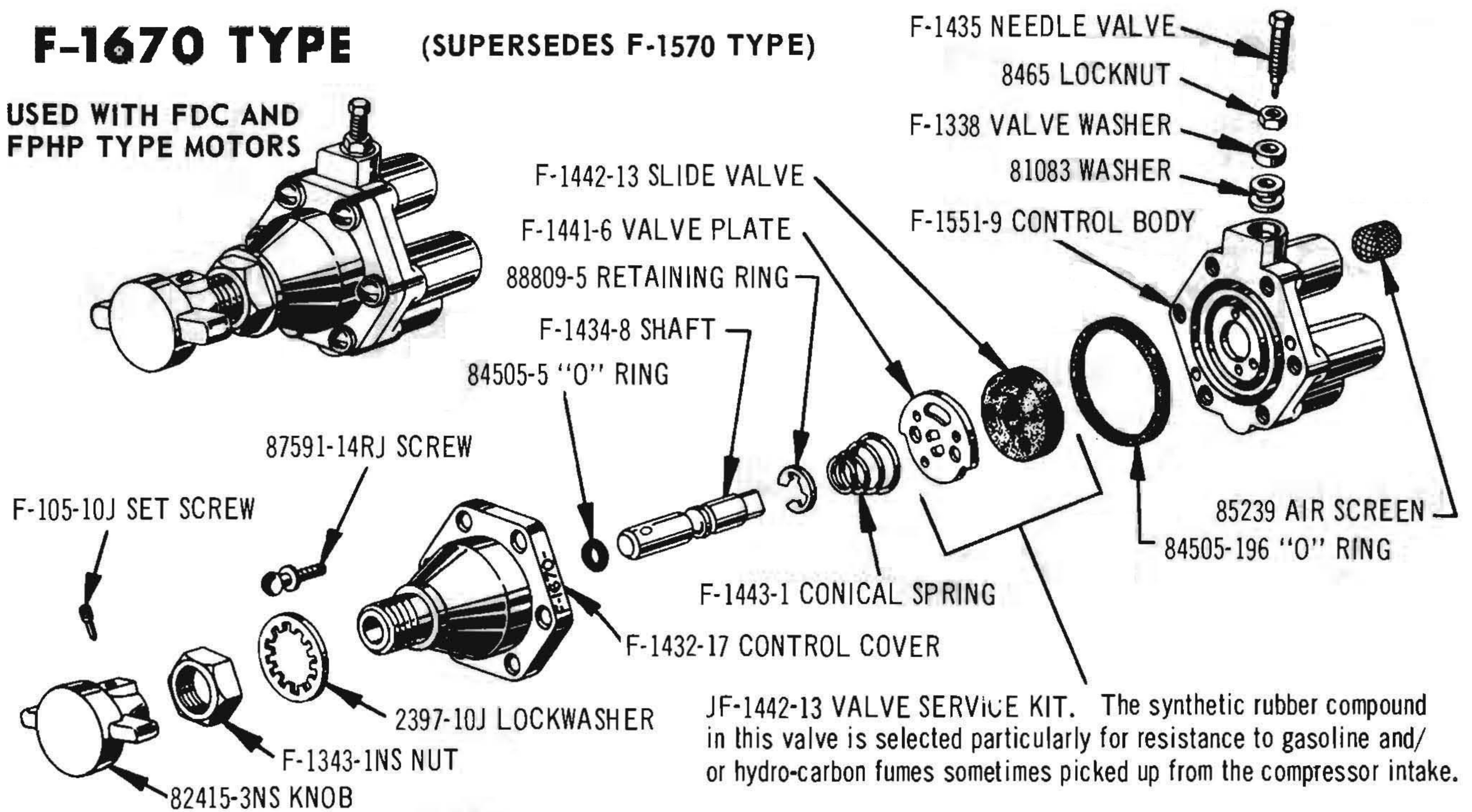


F-1670 TYPE

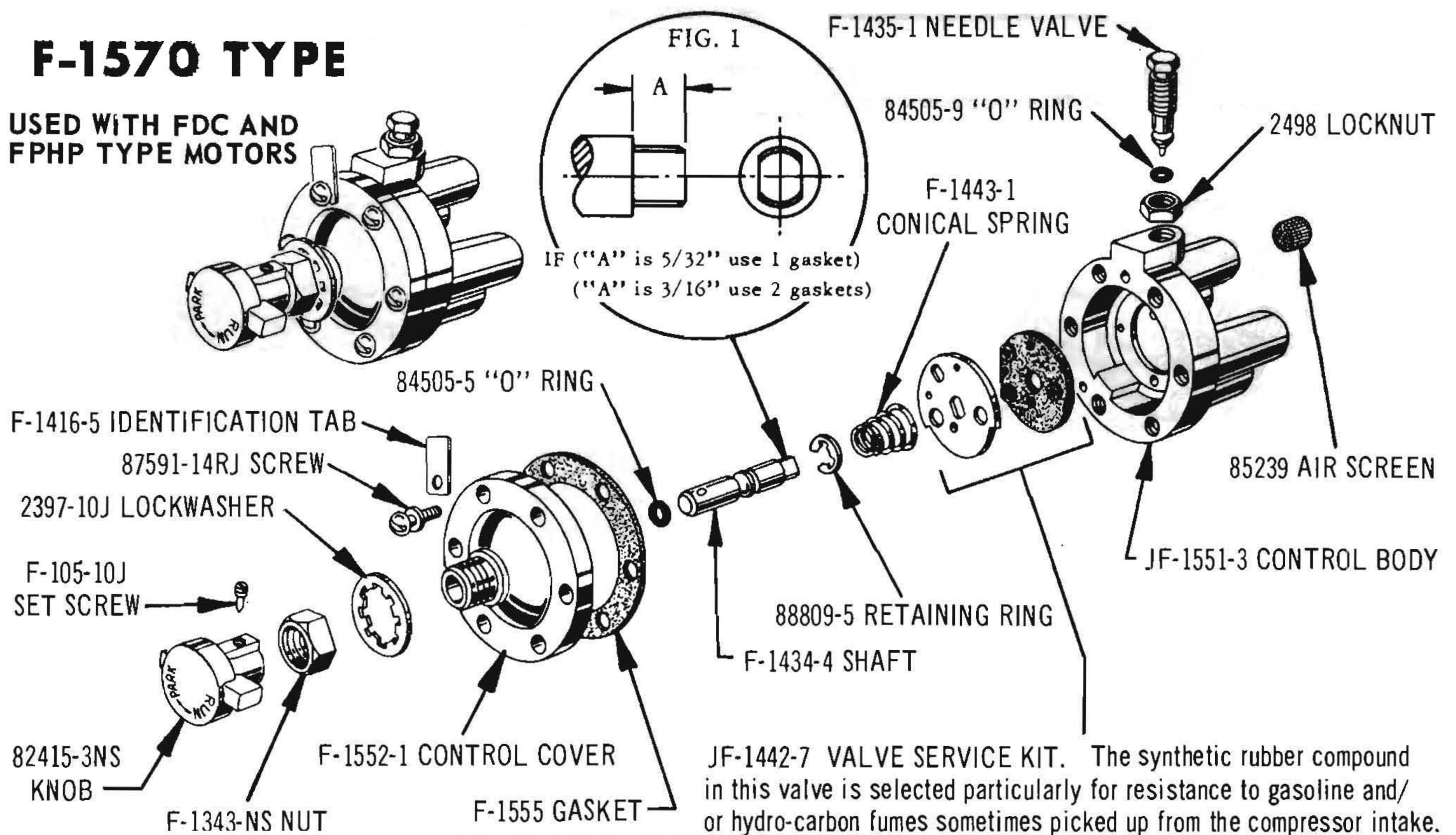
(SUPERSEDES F-1570 TYPE)

USED WITH FDC AND
FPH TYPE MOTORS



F-1570 TYPE

USED WITH FDC AND
FPH TYPE MOTORS



TO CHECK CONTROL VALVE

Connect air supply line to "IN" port and turn control on. If air flows from the "RUN" port only the control is operating properly. If air flows from the "OUT" and/or the "PARK" port as well as the "RUN" port, the rubber slide valve is defective.

TO REPLACE SLIDE VALVE:

Remove the control cover and discard the gasket (or "O" ring), rubber valve and backing plate. Using valve service kit, assemble new pre-greased valve to backing plate and place in valve cavity in correct position to receive control stem. Note: Be sure to replace old valve with new valve of the the same thickness. If additional grease is required, use silicone grease type GE-SS-4067, or DC-4. Install new gasket (or "O" ring) and replace control valve cover. Tighten all screws securely and recheck control.