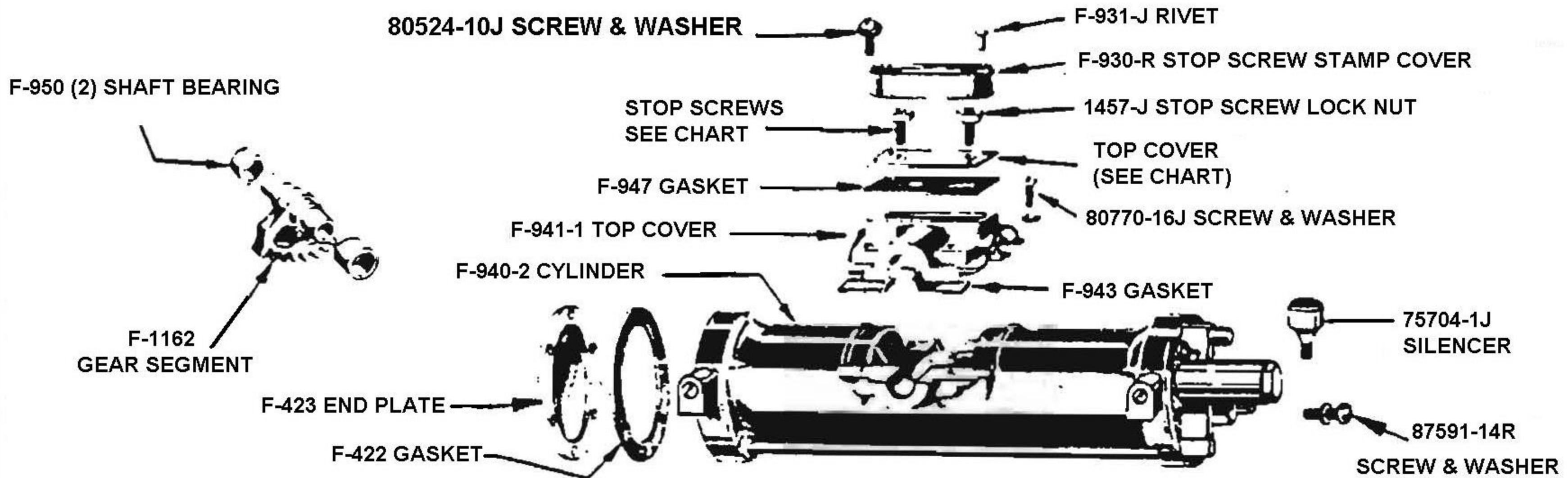




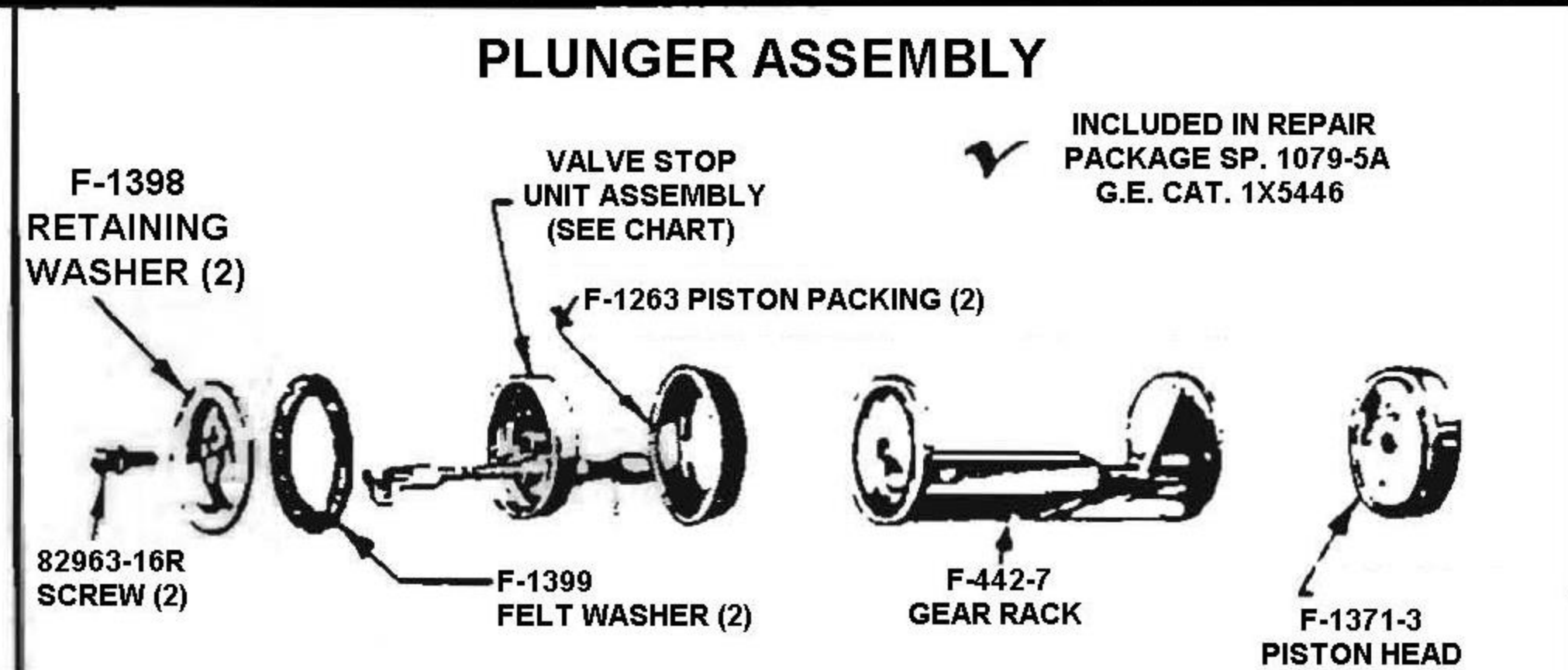
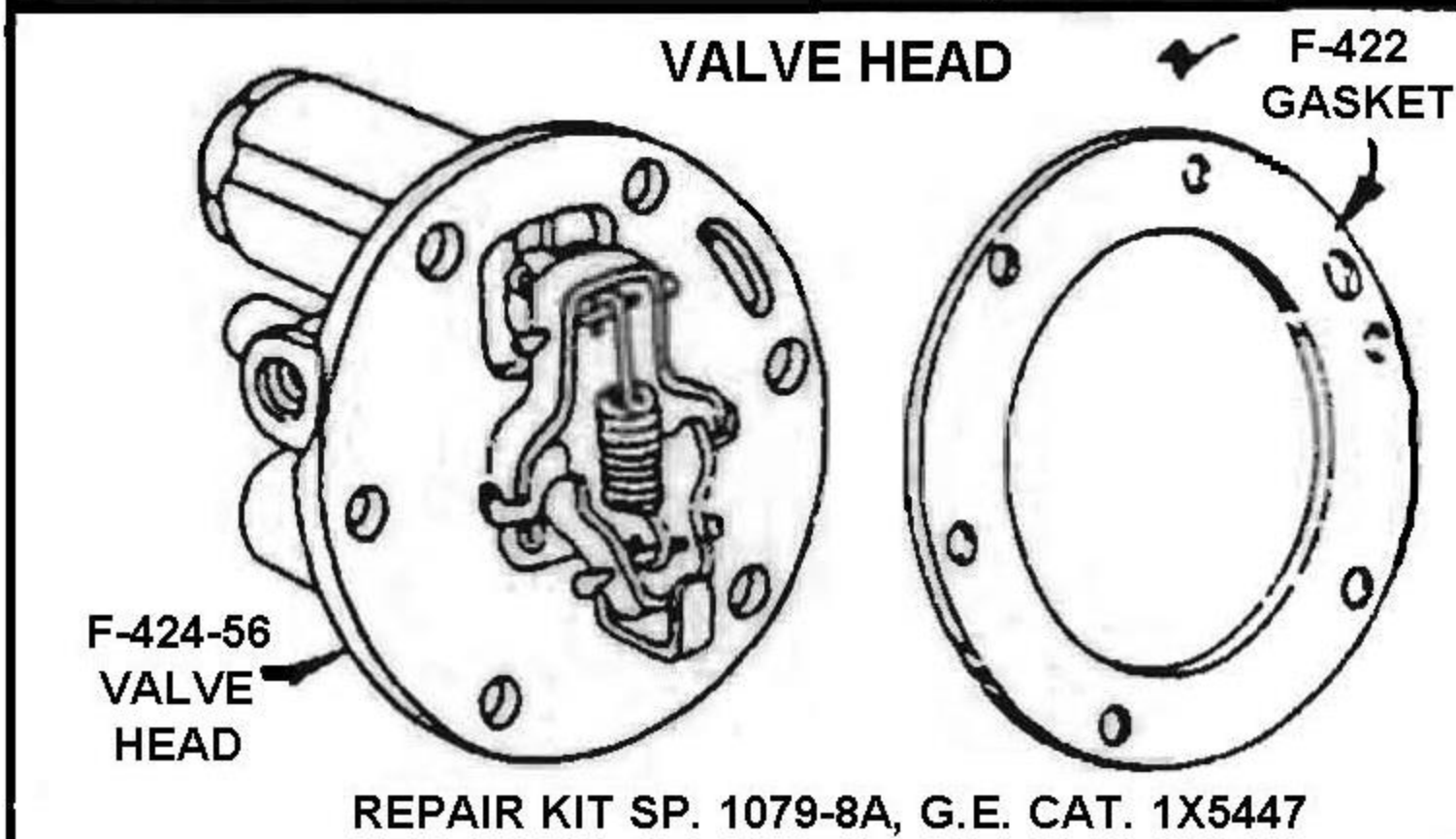
FPD TYPE PRESSURE POWER UNIT FOR GENERAL ELECTRIC CO.

SERVICE
SPECIFICATIONS

FPD POWER UNIT NUMBERS CORRESPOND TO THE DEGREE OF STROKE



GENEAL ELECTRIC NO.	TRICO NO.	STROKE	SHAFT	PLATE & BUSHING	ATTACHMENT PACKAGE
41A203148-P1	FPD 523	90°	F-1376-9J	F-1043-9J	SP.4080-1A
41A203148-P2	FPD 528	80°	F-1376-9J	F-1043-9J	SP.4080-1A
41A203148-P3	FPD 524	70°	F-1376-9J	F-1043-9J	SP.4080-1A
41A203148-P4	FPD 516	60°	F-1376-9J	F-1043-9J	SP.4080-1A
41A203148-P5	FPD 538	50°	F-1376-9J	F-1043-9J	SP.4080-1A
41A203148-P6	FPD 515	40°	F-1376-9J	F-1043-9J	SP.4080-1A
41A204653-P1		90°	F-1376-11J	F-1043-11J	SP.4080-1A
41A204653-P2	FPD 550	70°	F-1376-11J	F-1043-11J	SP.4080-1A



VARIABLE PARTS CHART

	40°	50°	60°	70°	80°	90°
STOP SCREWS	F-167-28J	F-167-28J	F-167-28J	F-167-24J	F-167-24J	F-167-24J
TOP COVER	F-972-2	F-942-2	F-942-2	F-942-2	F-942-2	F-942-2
GEAR SEGMENT	F-1162	F-1162	F-1162	F-1162	F-1162	F-1162
VALVE STOP UNIT ASSY.	F-1372-23	F-1372-5	F-1372-4	F-1372-3	F-1372-10	F-1372-2
SPACER LENGTH	21/32"	5/8"	1/2"	13/32"	21/64"	17/64"
PLUNGER ASSEMBLY	F-1380-23	F-1380-5	F-1380-4	F-1380-3	F-1380-10	F-1380-2

SHAFT ATTACHMENT PACKAGE Sp. 4080-1A INCLUDED WITH EACH FPD MOTOR

