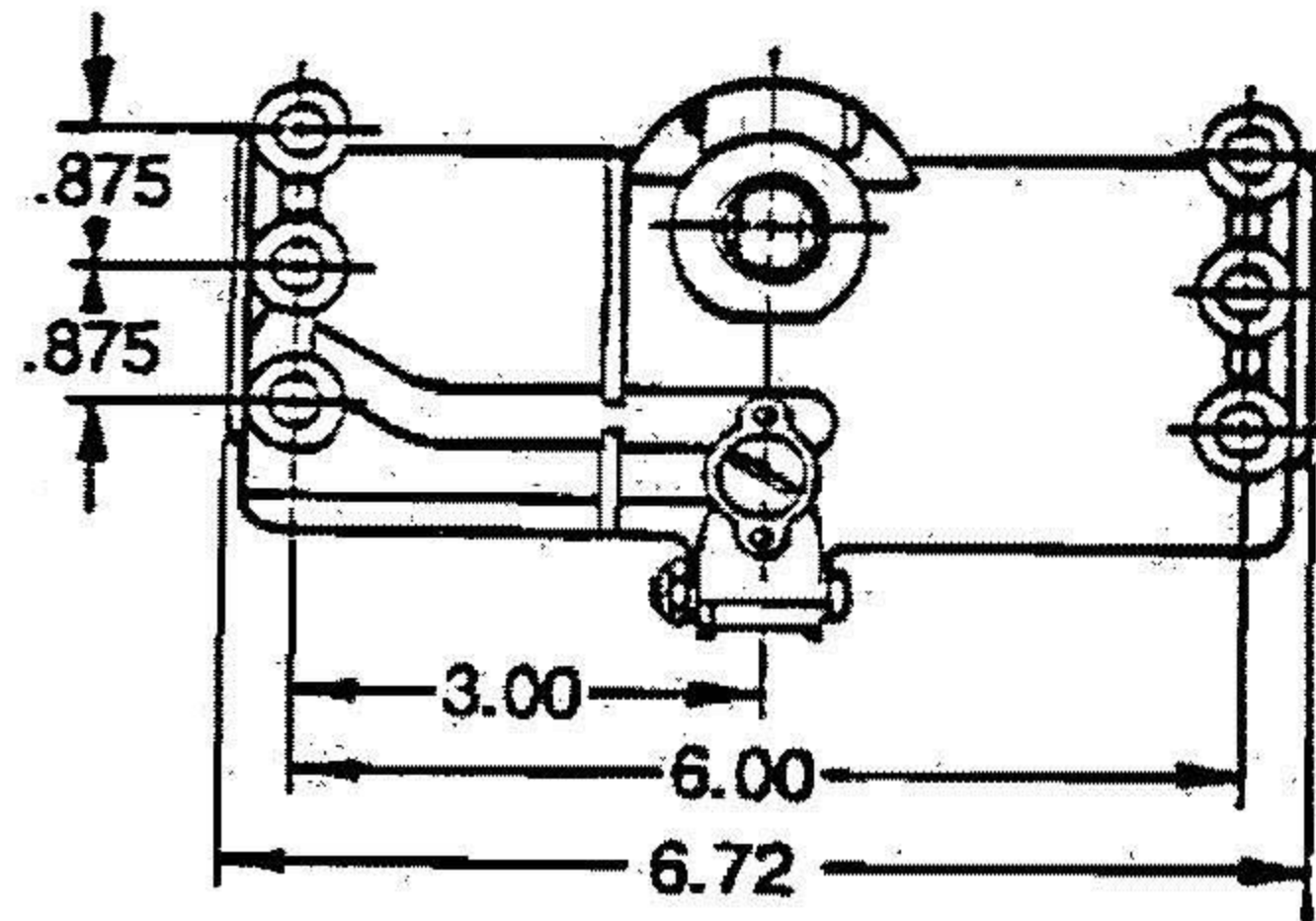
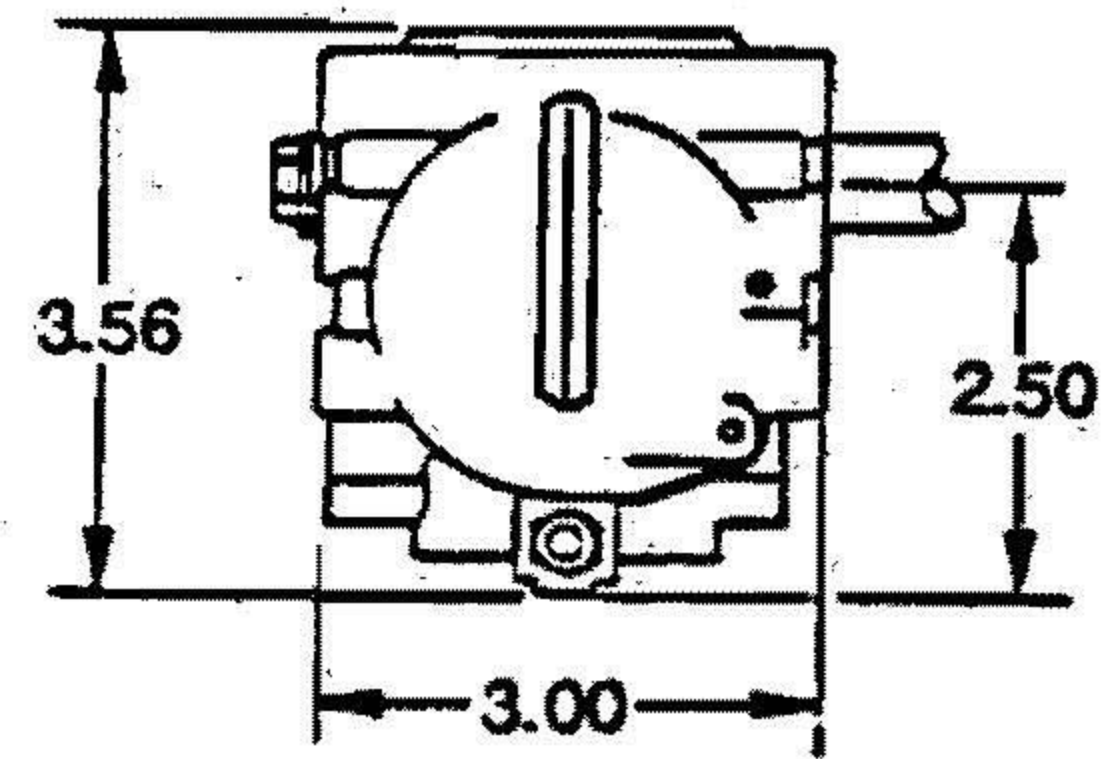
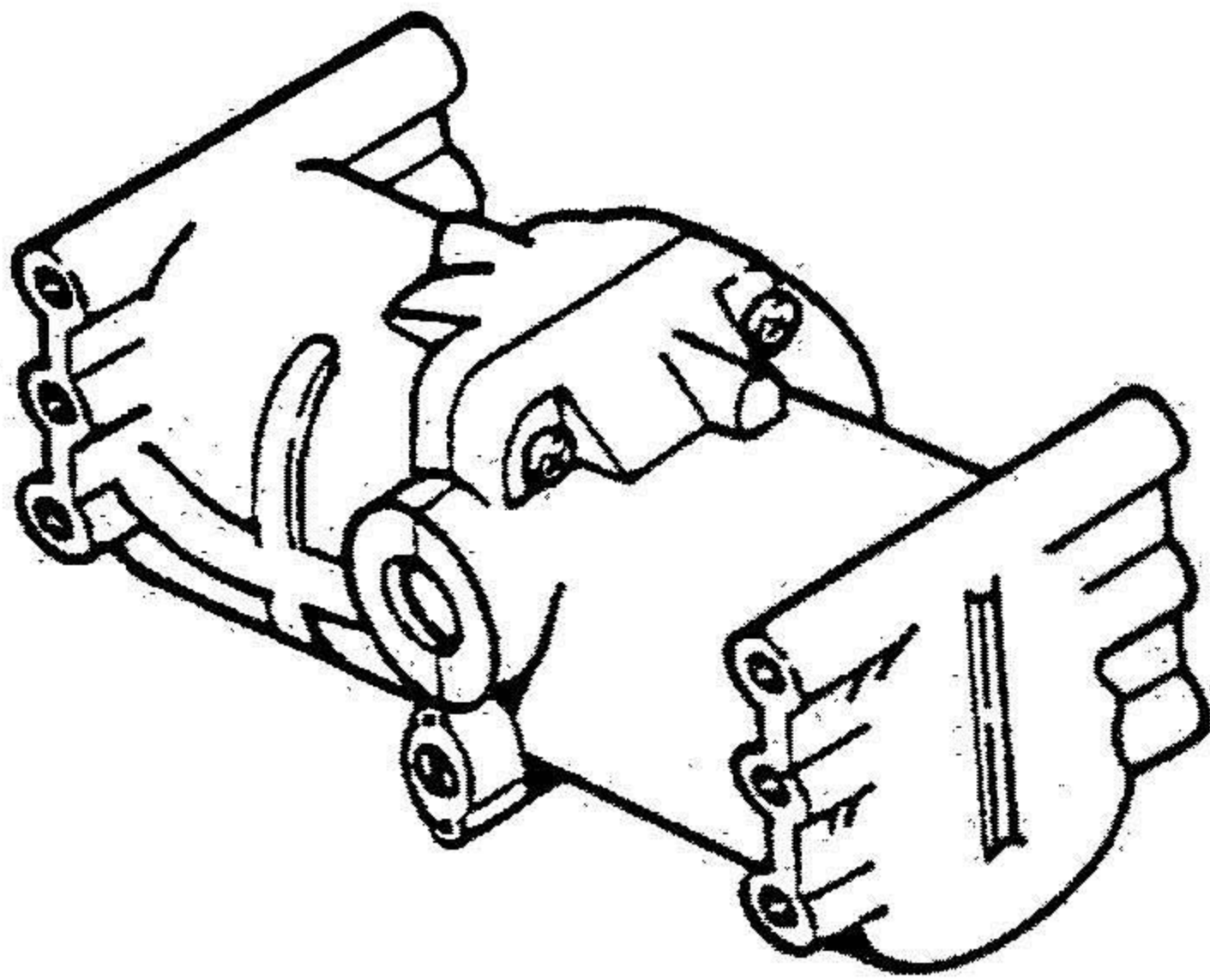


# AIR PUSH II MOTOR AP-SERIES



EXAMPLE - AP1/1302

SERIES NUMBER	OLD MOTOR NUMBER
AP-1	M-582-DEG/M-582-3-DEG
AP-2	M-583-DEG/M-583-3-DEG
AP-3	M-582-1-DEG
AP-4	M-583-1-DEG
AP-5	M-582-2-DEG
AP-6	M-583-2-DEG
AP-7	M-589-DEG
AP-8	M-590-DEG
AP-9	M-587-DEG
AP-10	M-588-DEG

AIR CONSUMPTION - 2.0 C.F.M. AT 100 P.S.I.

TORQUE - 265 IN. LBS. AT 100 P.S.I.

WEIGHT - 2.5 LBS. (APPROX.)

OPERATING PRESSURE - 30 TO 100 P.S.I.

SWEEP RANGE - 60 DEG. TO 130 DEG.