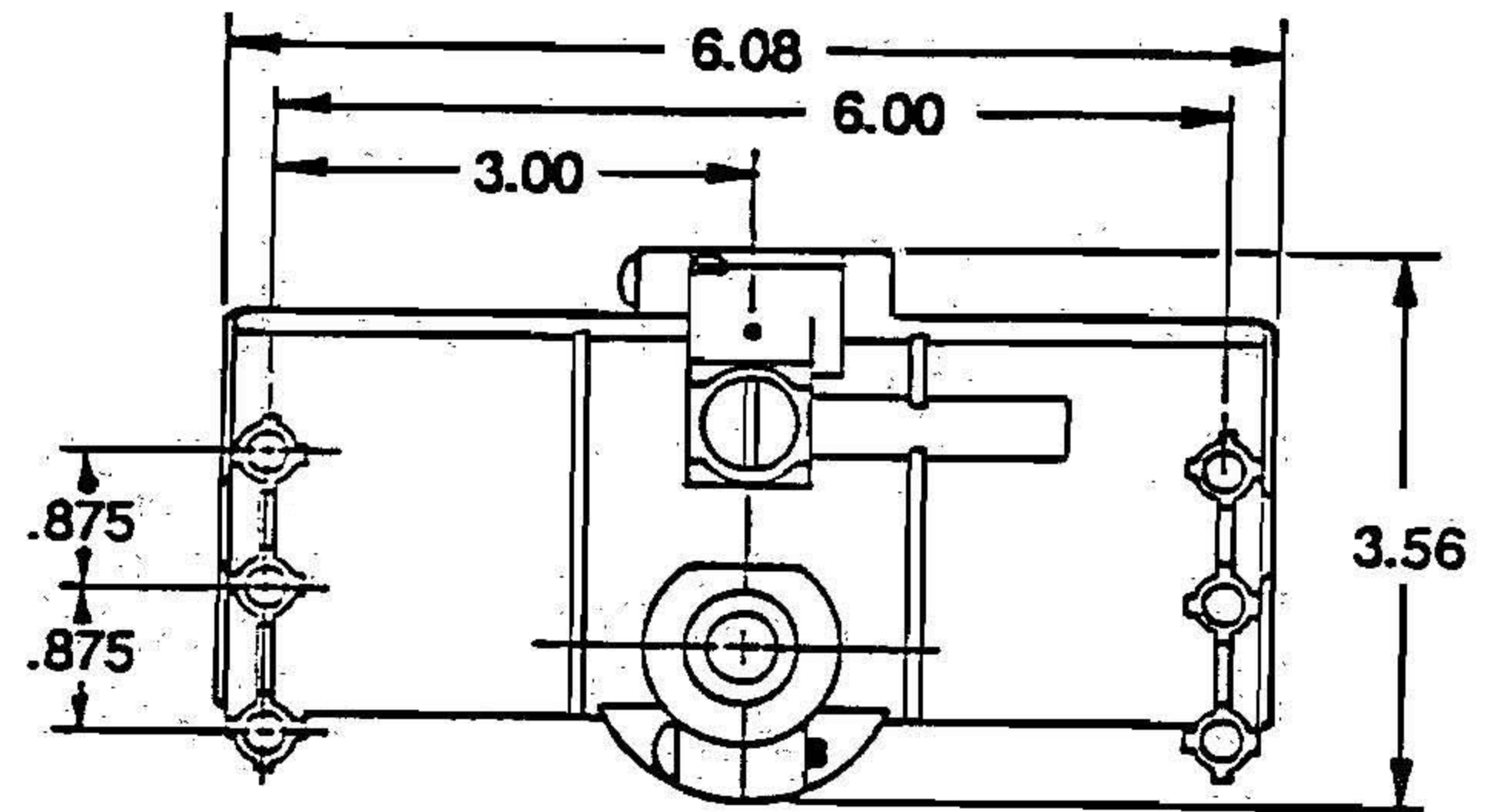
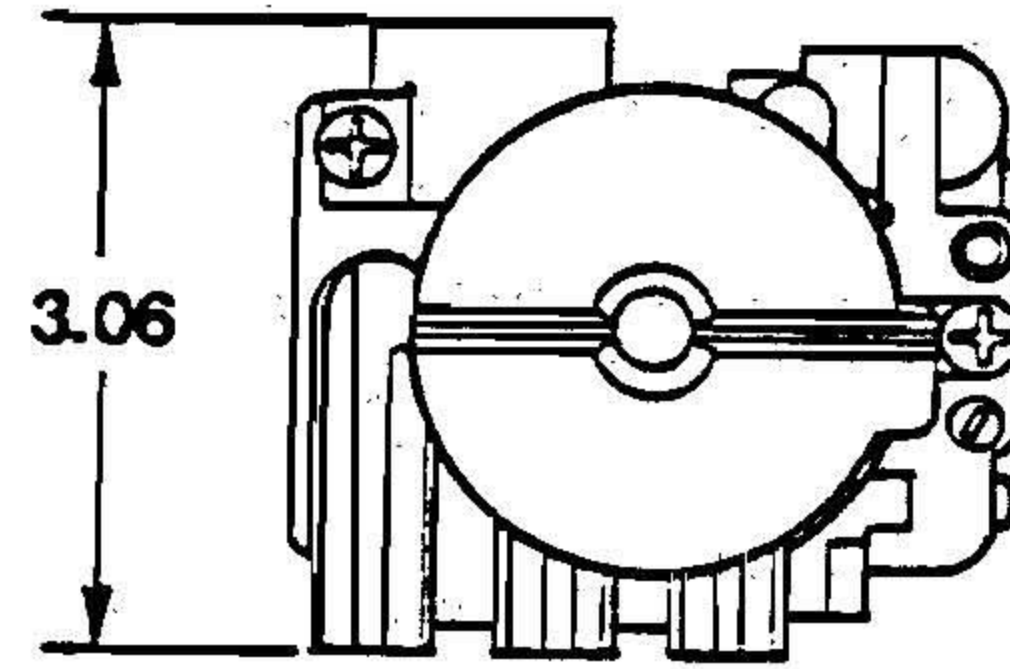
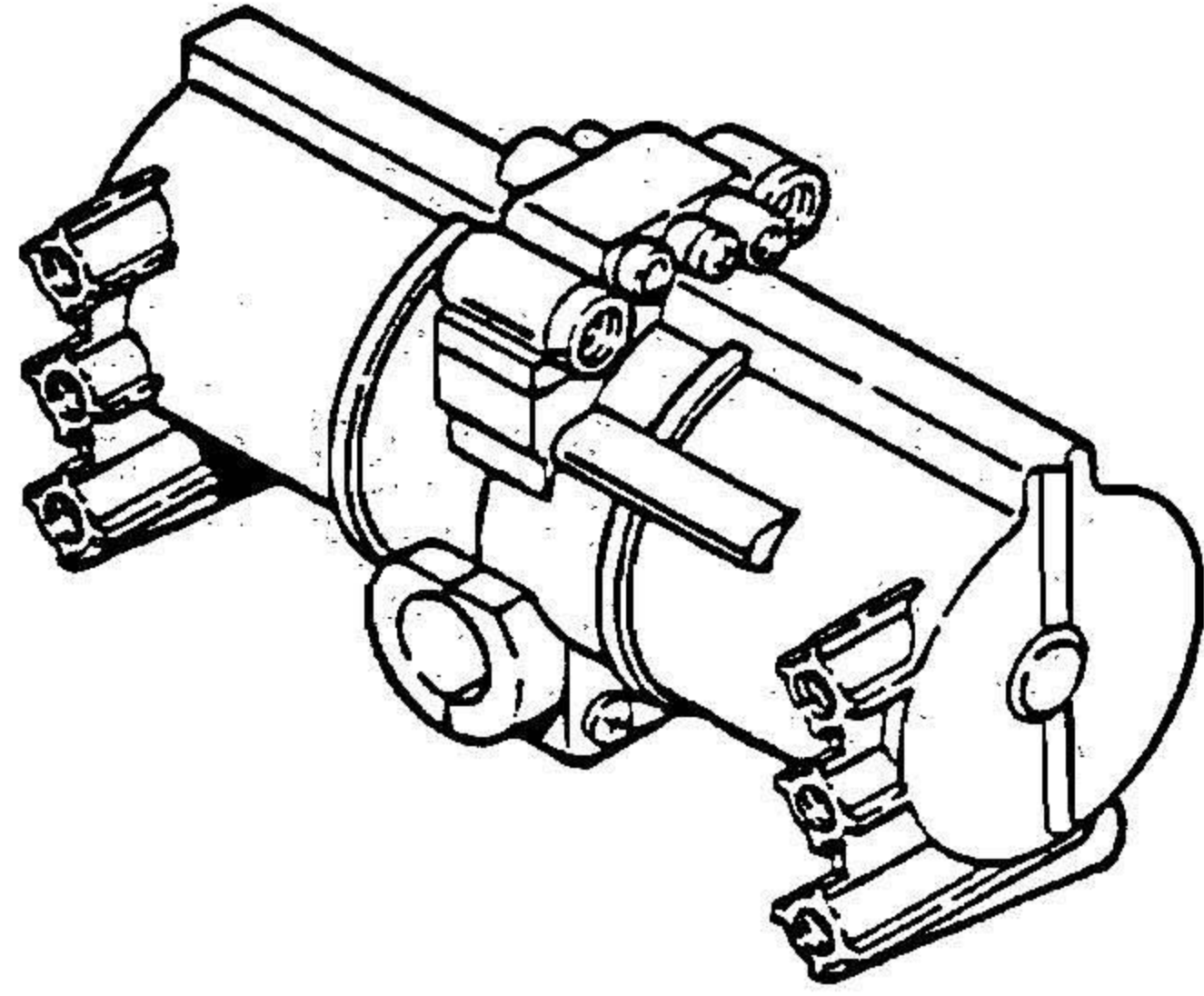


HP-200 AND HP-225 MOTOR A2-SERIES



EXAMPLE - A20/09001/2

SERIES NUMBER	MOTOR
A2	HP-200
A5	HP-225

AIR CONSUMPTION - 3.2 C.F.M. AT 100 P.S.I.

TORQUE - 300 IN. LBS. AT 100 P.S.I.

WEIGHT - 2.06 LBS. (APPROX.)

OPERATING PRESSURE - 30 TO 100 P.S.I.

SWEEP RANGE - 60 DEG. TO 130 DEG.