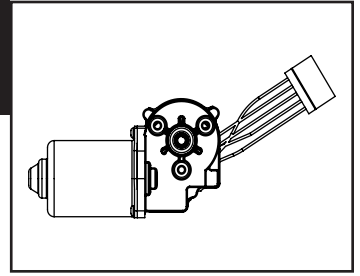


# J3 Motor

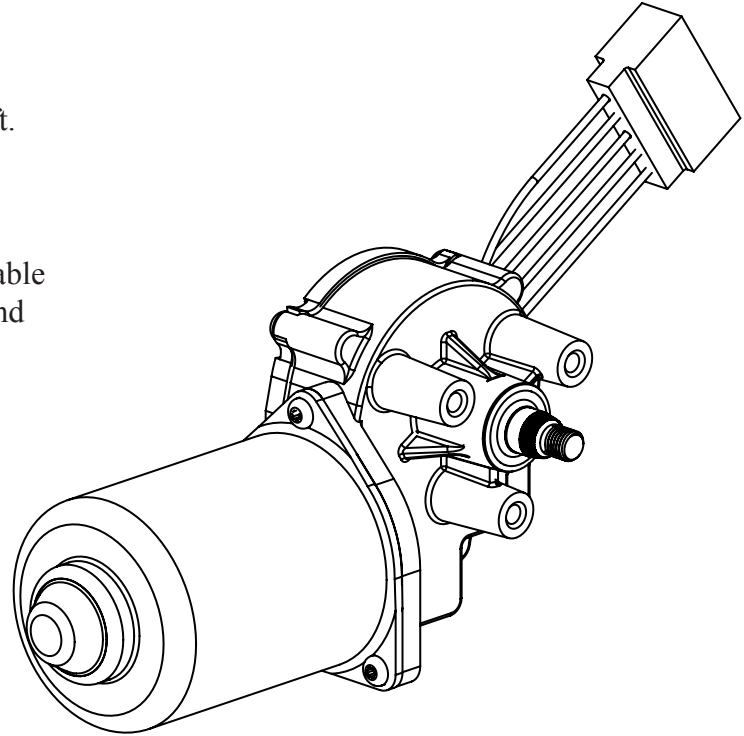


## Description

Heavy-duty 12 or 24 Volt J3 windshield wiper motor.

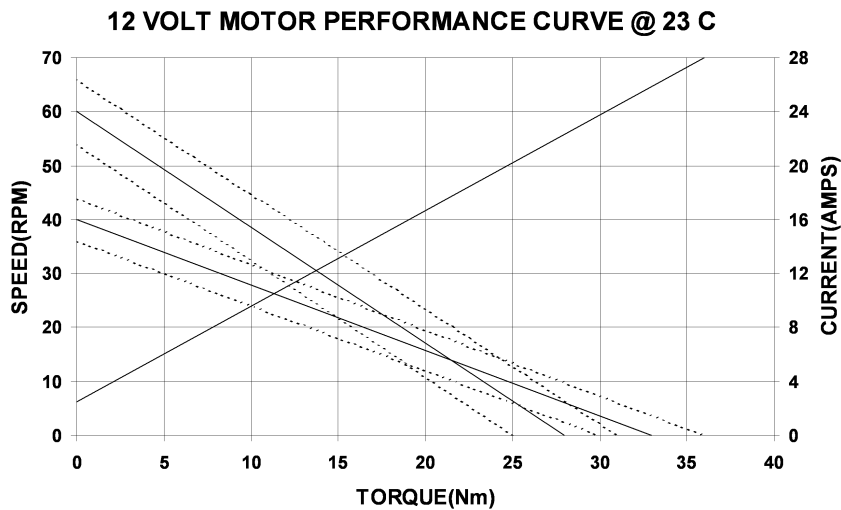
## Features

- High Efficiency rotating output shaft.
- Thermoswitch Protected
- Internal R.F.I protection
- Coast to Park or Dynamic park
- Several Electrical Connectors Available
- Ball bearing for greater efficiency and smooth operation.
- 33 Nm stall torque

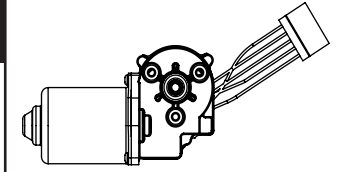


## Applications

- Heavy-duty trucks
- Recreational trucks
- Construction equipment
- Agricultural Vehicles
- Utility vans
- School Buses

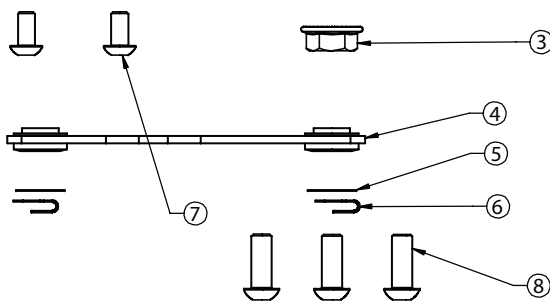
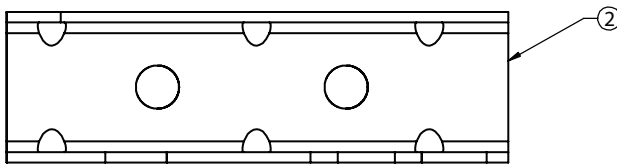
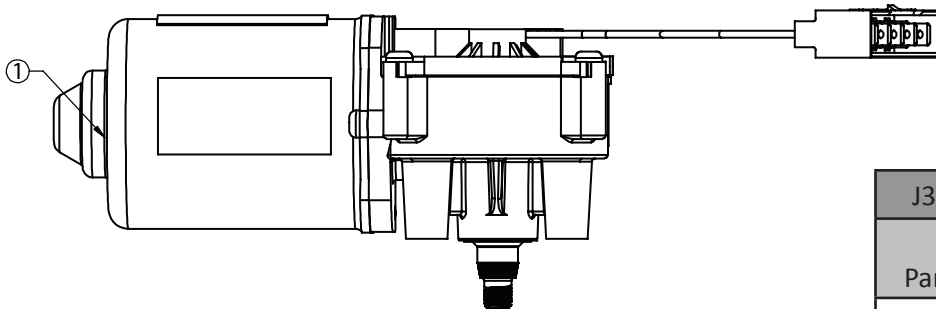


# J3 Motor



J3 Motor Part Numbers			
Wexco Part Number	Voltage	Park	Connector
105715	12	Dynamic	JE/UT
105716	24	Dynamic	JE/UT
107372	12	Coast	JE/UT
107373	24	Coast	JE/UT
1999-3110021	12	Dynamic	WeatherPak

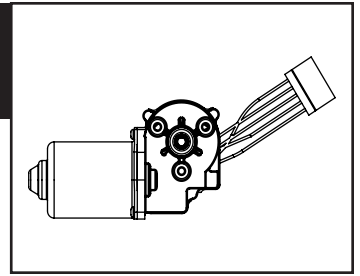
## J3 Motor Kits



J3 Motor Kit Part Numbers	
Wexco Part Number	Uses Motor
1422-3110013	107372
1422-3110015	107373
KMPT	Parts Only No Motor

J3 Motor Kit Parts List		
Location	Part Number	Description
1	-	See J3 Motor Kit List
2	102938	JE/UT Motor Bracket
3	400200	M8x1.25 Flanged Hex Nut Torque 14-18 Nm
4	200100	Connecting Link 3.38"
5	300924	Washer for Spring Clip
6	300928	Spring Clip
7	300926	Pivot Housing Screws Torque 3 - 4 Nm
8	106800	M6x1 Pan Head Screw Torque 8-10 Nm

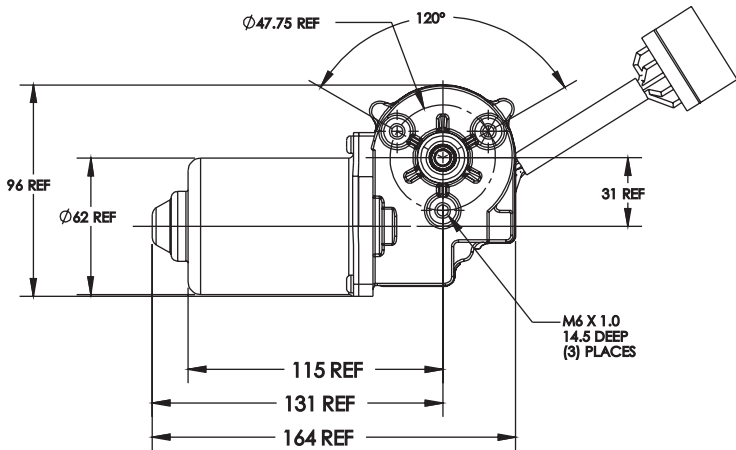
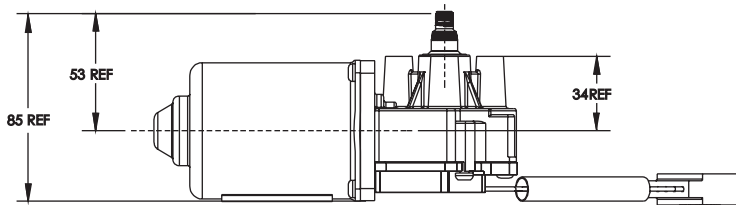
# J3 Motor



## Specifications

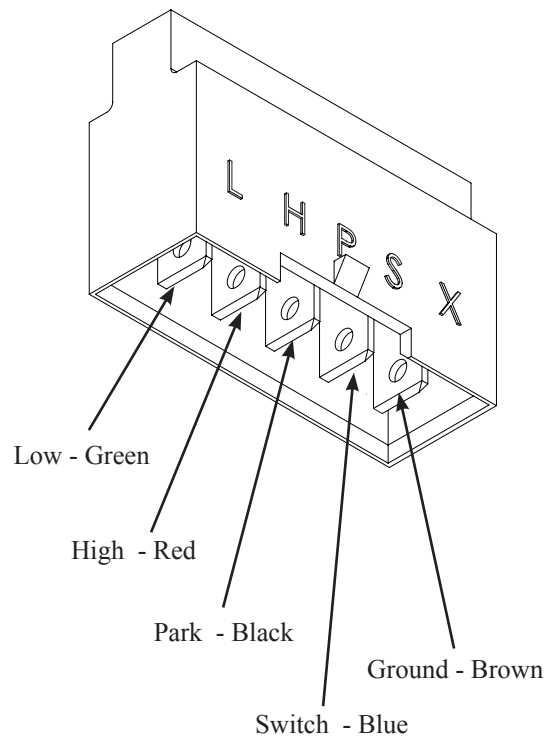
- Counter Clockwise Rotation
- Heavy-duty/lightweight (3 lbs.)
- EMI/RFI: CISPR 25 Level 4
- 33 Nm stall torque
- 12 Volt Motor High/Low Speed  
40±3/60±5 rpm
- M8x1.25 Shaft Thread
- Shaft Taper A12 x M8 per DIN 783

## Motor Dimensions

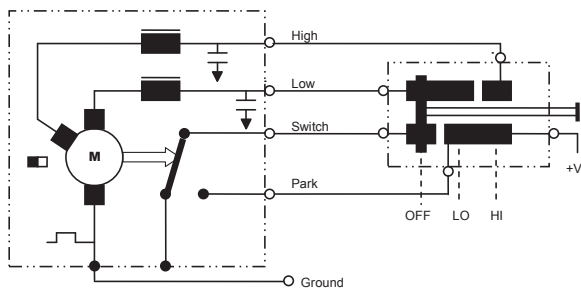


## JE/UTA Connector:

Wexco Part Number 400121



## Dynamic Park Circuit



## Coast to Park Circuit

